

PRODUCT SPECIFICATIONS

IDV380C Direct Vent Insert System



GLASS VIEWING AREA

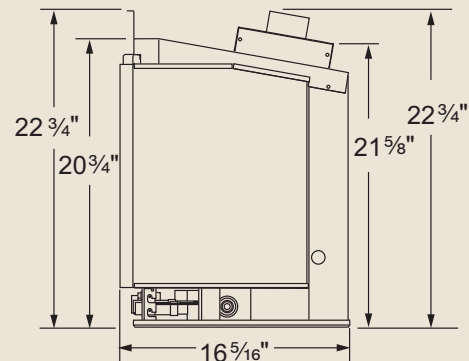
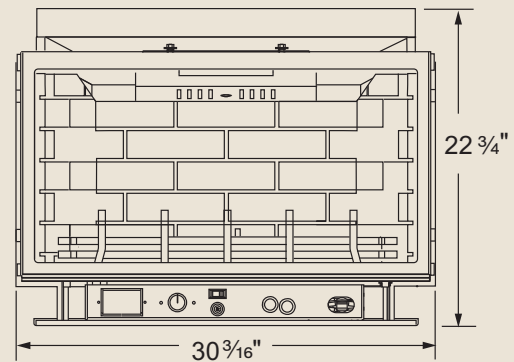
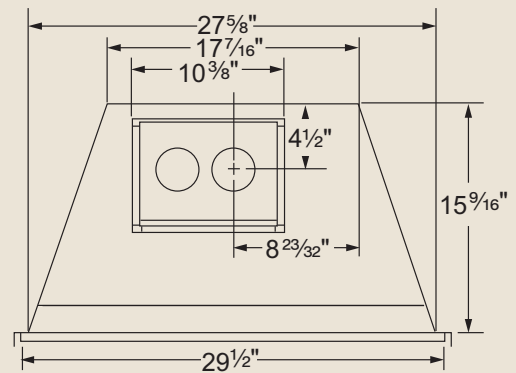
382 Square Inches

TECHNICAL INFORMATION

Max. Btu Input: 30,500 NG / 28,000 LP
 Minimum Fireplace Dimensions: 28"W x 21"H
 Ignition System: Standing Pilot
 Gas Type: Natural or LP
 Natural Flame™ Burner with 7-piece Fiber Ceramic Log Set
 Millivolt with on/off switch and variable flame height control in
 natural gas or propane gas
 Cottage Clay firebrick
 Thermostat controlled blower
 Black Filigree Panels
 Consumer friendly deluxe control panel with on/off switch
 CSA Design Certified

FIELD INSTALLED ACCESSORIES

Beveled Trim: Black in two sizes
 Flat Trim: Black in two sizes
 3" intake and 3" exhaust vent pipe connectors for chimney
 flex liners
 Designer faces available
 Ambient Technologies™ Remote Controls and Thermostats
 Cabinet doors with screen, door frames, filigree panels
 and bay front screens



A Brand of Monessen Hearth Systems Co.
 149 Cleveland Drive, Paris, Kentucky 40361

www.monessenhearth.com



To avoid personal injury or property damage, the product described by this brochure must be installed, operated and maintained in strict compliance with the instructions packaged with the product and all applicable building or fire codes. Contact local building or fire officials about restrictions and installation inspection requirements. All photographs and drawings on this brochure are for illustrative purposes only and are not intended for, nor should they be used as a substitute for the instructions packaged with the unit. Appearance and specifications of the product are subject to change without notice. © 2009 Monessen Hearth Systems Co.